

Fase<sup>1</sup>™

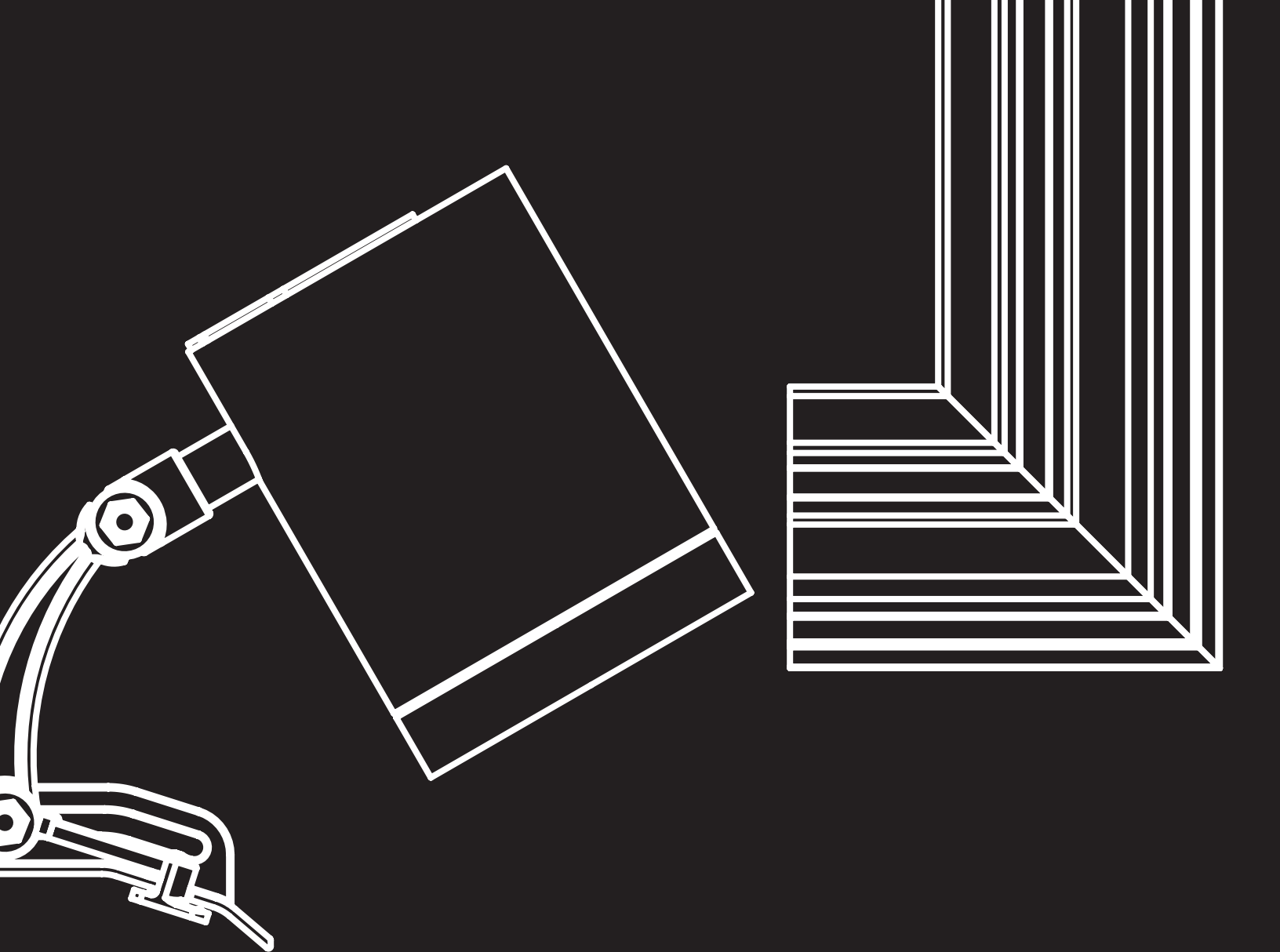
SUBTRACT



CONSTRUCT  
ROUTE  
MAST  
MUCCI  
SUBTRACT

L  
24  
01  
K





SUB

TRA

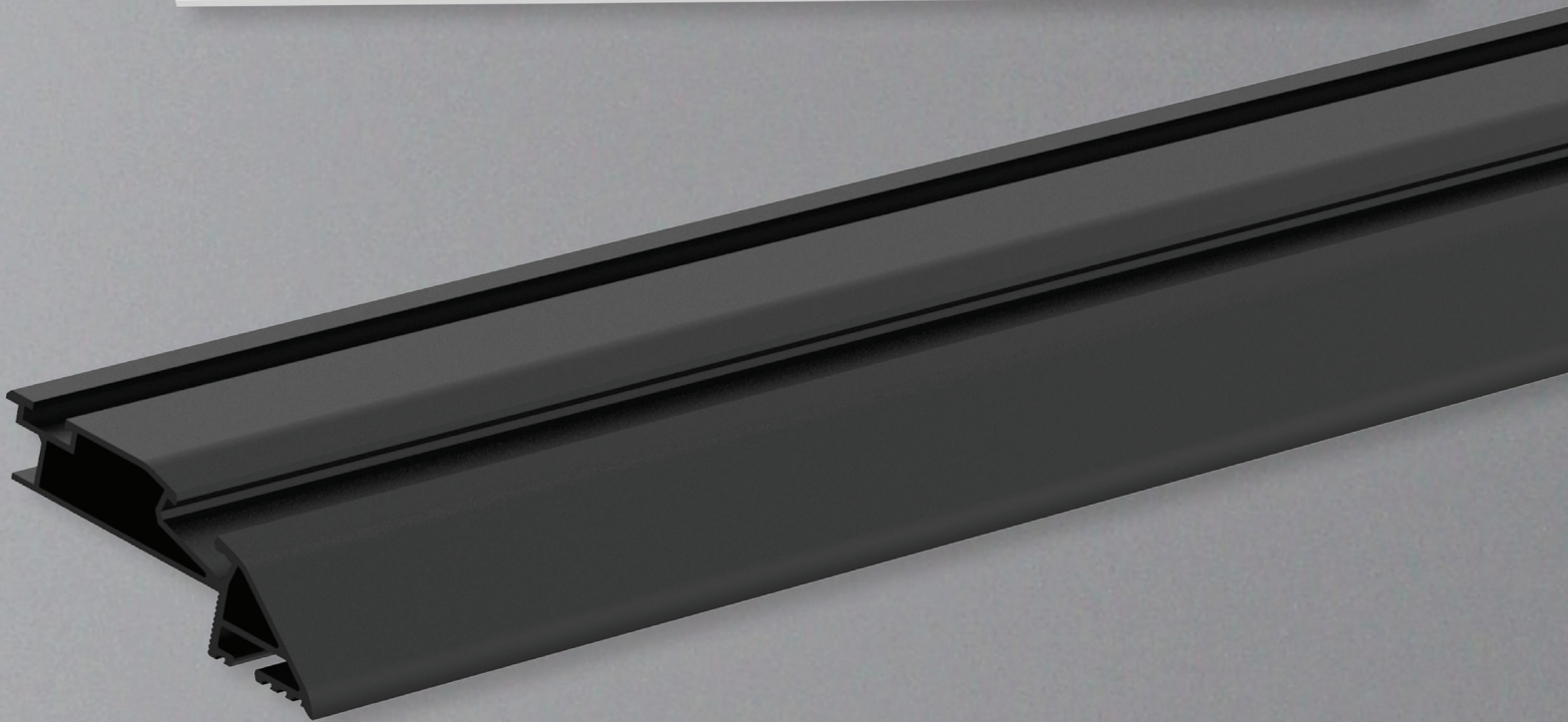
Introducing

## THE SUBTRACKT

Beneath the surface sits the Subtrackt collection. This structural cove lighting system is designed to seamlessly integrate into the architecture. An extremely versatile recessed system allows for optimal customization with optional single or dual channels to line your ceiling in a linear formation or u-shaped design. The modules have four specific ways to rotate and adjust, offering additional angles for a larger range of directional illumination with its special arm design.

The modern design of this channel lighting establishes ease of installation by incorporating a mounting rail with continuous grooves to support a notched design below the modules to clamp on. This allows you to slide the modules onto the rail and place lighting where needed. Subtrackt darkness from your room and brighten your space today with the next generation of channel lighting.

# CKT



# ALUMINUM CHANNELS

---

Subtract heads are built to provide multiple types of light. This all-in-one design offers illumination for general and task lighting purposes. Choose between two modules for a tighter, stronger beam or a softer, wider ray of light. Employing multiple joints, the arm pivots at various intersections for complete control. This also allows for absolute adjustments to create the perfect position while the aluminum channel is neatly hidden within the designated recessed space. The non-invasive design supports all adjustments to be made behind the scenes within the ceiling alcove to avoid exposing the body or channel. This is ideal for confined spaces or where false ceilings must be used.





# NEXT GENERATION COVE LIGHTING



---

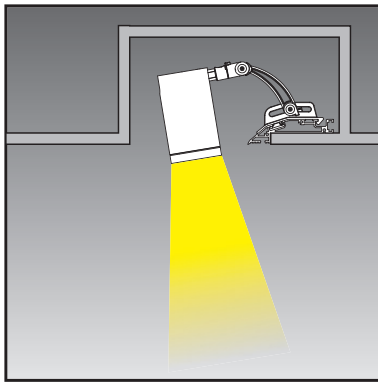
Specific to the Subtrackt collection is a versatile arm design, allowing for ample motion with four ways to rotate and adjust the position for specific lighting requirements. Depending on the rotations and adjustments made, the type of light received will change accordingly. The mounting options also allow for further lighting specifications to produce exact illumination or a wall wash effect if needed.



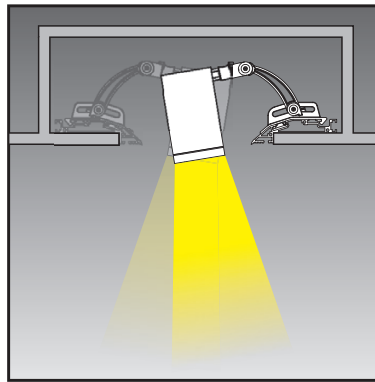
# FUNCTIONALITIES

---

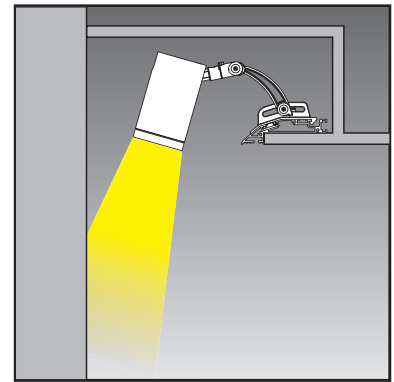
## SAMPLE APPLICATIONS



SINGLE

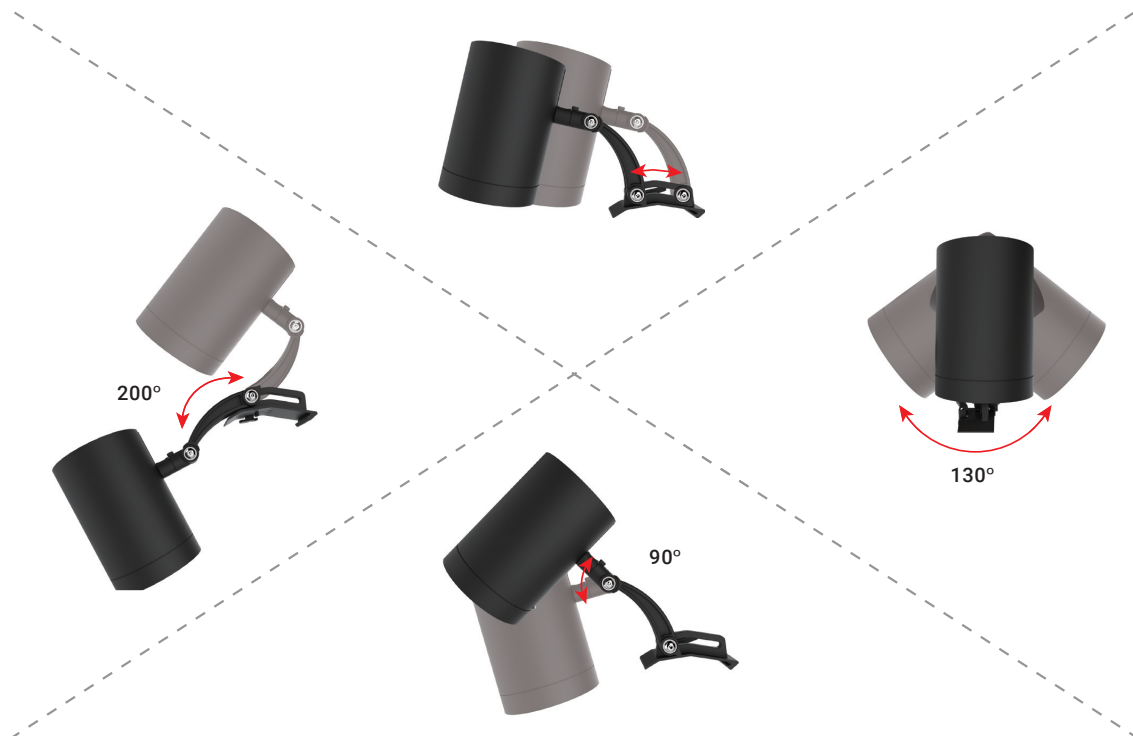


DOUBLE



GRAZER

## 4-WAY MOVEMENTS



# 15W

38656

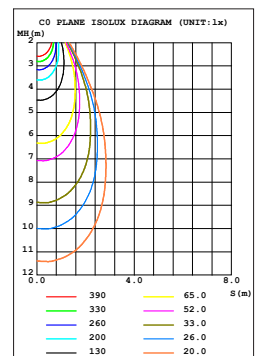
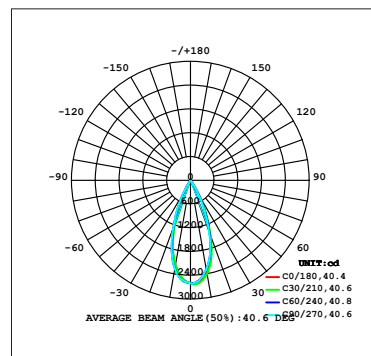
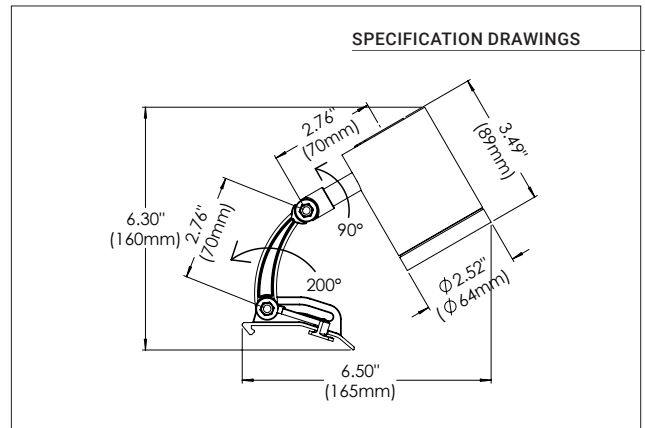
The adjustable spot module is the best choice for directional lighting to highlight specific pieces that deserve that extra attention. Shape the perfect ambiance by adding supplementary layered lighting to illuminate various displays and retail space.



Available in white or black

## LAMPING

Number:	38656
Wattage:	15W Integrated LED
Beam angle:	40°
Vertical Rotation:	90°/200°
Horizontal Rotation:	130°
Kelvin:	3000K/3500K/4000K
Lumens:	1380lm
CRI:	90+
Dimming:	TRIAC
Adjustable Head:	Yes
Color:	Black/White
Input:	120-277V



15W - 40°

\*\*\* For customization, please consult Eurofase



# 30W

38657

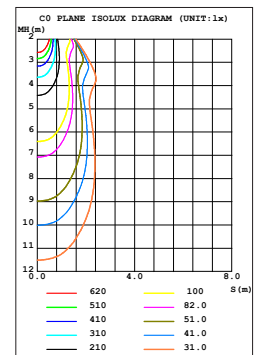
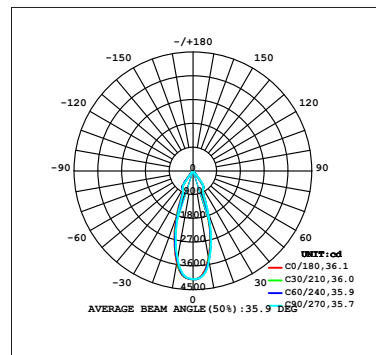
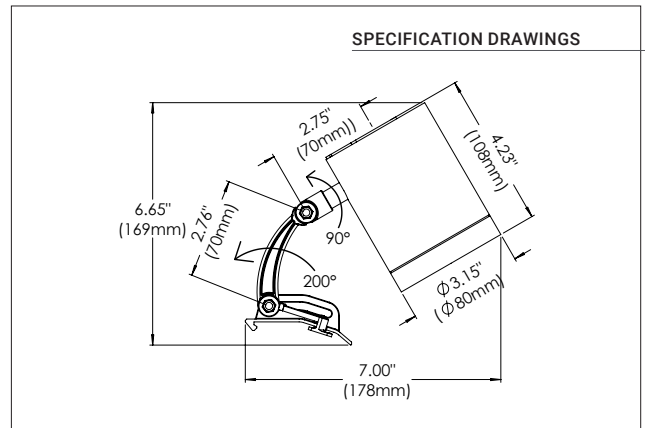
The adjustable spot module is the best choice for high ceiling directional lighting to highlight specific pieces that deserve that extra attention. Shape the perfect ambiance by adding supplementary layered lighting to illuminate large retail space.



Available in white or black

## LAMPING

Number:	38657
Wattage:	30W Integrated LED
Beam angle:	35°
Vertical Rotation:	90°/200°
Horizontal Rotation:	130°
Kelvin:	3000K/3500K/4000K
Lumens:	2670lm
CRI:	90+
Dimming:	TRIAC
Adjustable Head:	Yes
Color:	Black/White
Input:	120-277V



30W - 35°

\*\*\* For customization, please consult Eurofase

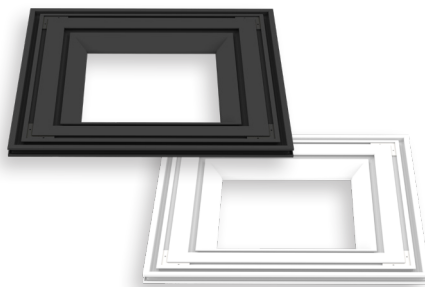
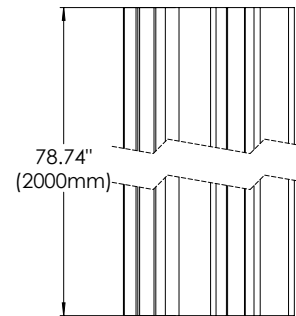


# CHANNELS

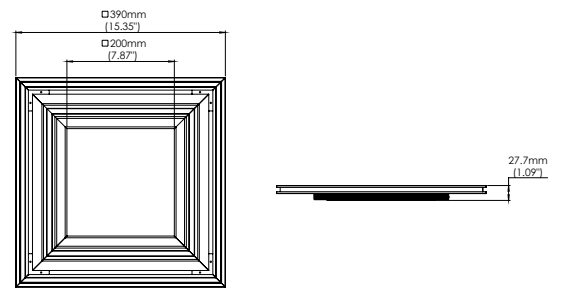
## MOUNTING CHANNELS



- 38653-01**  
TRACK, 6.5FT, BLACK
- 38653-02**  
TRACK, 6.5FT, WHITE



- 41900-01**  
SQUARE TRACK, BLACK
- 41900-02**  
SQUARE TRACK, WHITE



## POWER CONNECTION

### HALO TRACK

- Single circuit track, 3-conductor, 20A maximum per circuit
- Can be surface mounted on walls or ceilings
- Field cuttable to desired length
- Use components to build any desired configuration
- Includes 2 dead-end covers

#### **1002** 2-FOOT TRACK



#### **1004** 4-FOOT TRACK



#### **1008** 8-FOOT TRACK



-01 Black



-02 White





# LASTING IMPRESSION

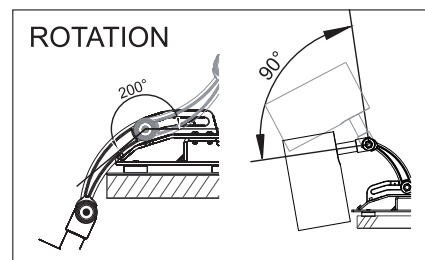
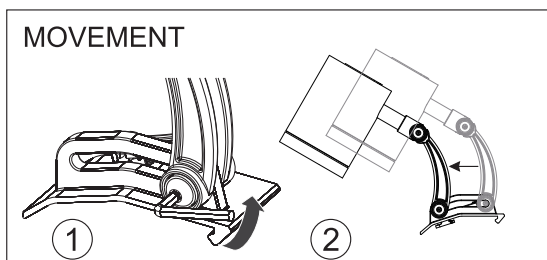
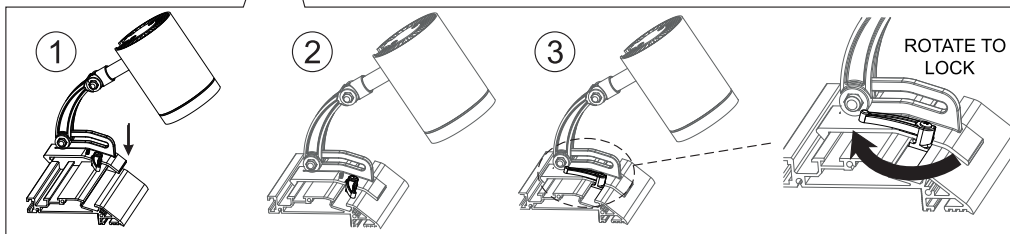
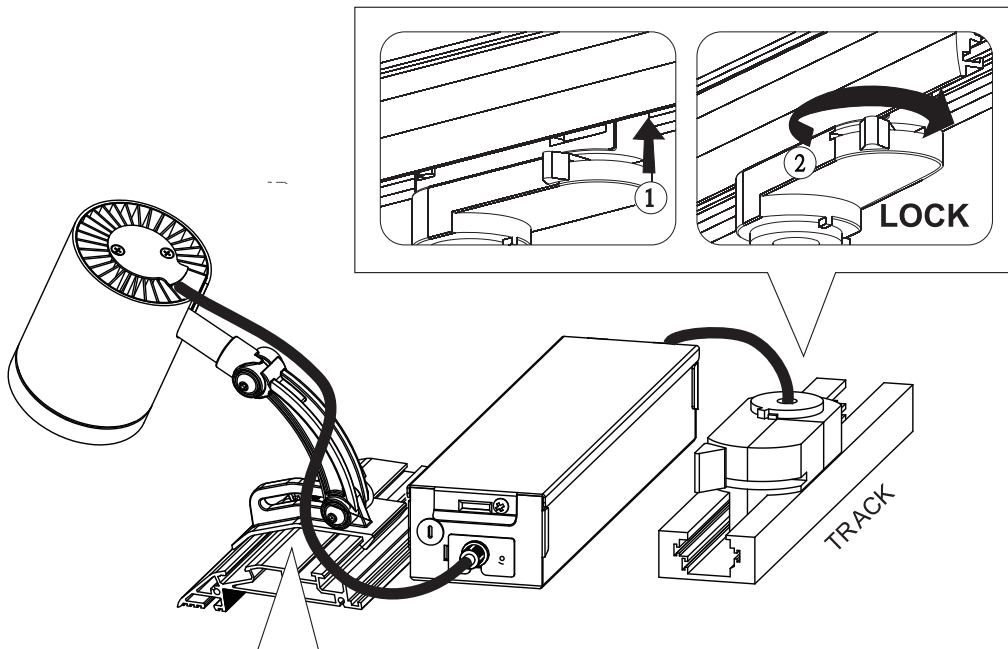
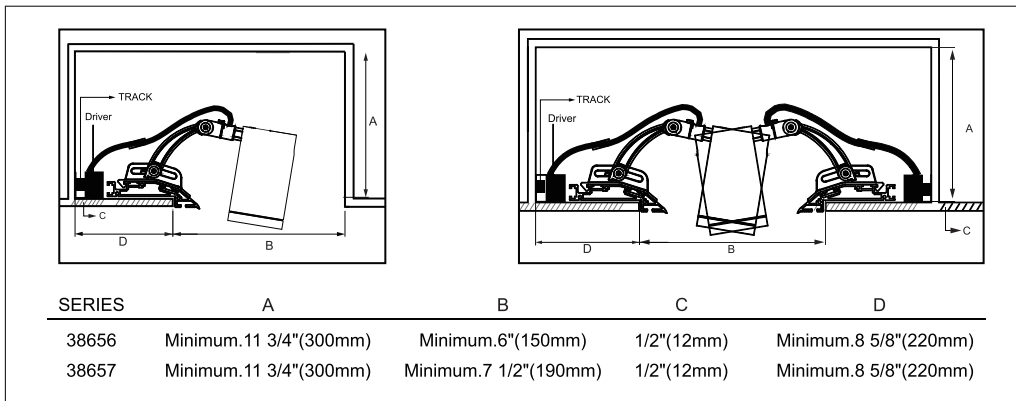
The Subtrackt collection are ETL Listed to ensure safe operation for many years to come. We want to ensure your success with every project you tackle. We're also offering a 5 year limited warranty.







# INSTALLATION GUIDE





# Fase<sup>1</sup>

33 West Beaver Creek Road,  
Richmond Hill, Ontario Canada L4B 1L8

**DALLAS TRADE MART**  
Eurofase Showroom, Suite #4002

**tel** 905.695.2055  
**fax** 905.695.2056

**toll free** 1.800.660.5391  
**toll free** 1.800.660.5390



Printed in Canada  
© 2021 Eurofase Inc. All rights reserved.

Eurofase Inc. reserves the right to make alterations to the construction and design of products shown in this catalog in order to meet the laws or regulations of any authorized governing organization. The use of products shown in this catalog must comply with local building codes.