

## CHARLIE TRACK HEAD



### FEATURES

Charlie stays true to the conventional style of track lighting systems and incorporates simplistic, modern style. Made out of diecast aluminum, it is built to last with durable strength like no other.

Available in both a matte black and white finish, the Charlie collection will easily match a variety of décor for consistent style.

### SPECIFICATIONS

MODEL NUMBER	35457
LIGHT SOURCE	7W Integrated LED
BEAM ANGLE	24°
VERTICAL ROTATION	90°
HORIZONTAL ROTATION	350°
KELVIN	3000K/3500K
DELIVERED LUMENS	540lm
CRI	90+
DIMMING	TRIAC
COLOR	Black/White
INPUT	120

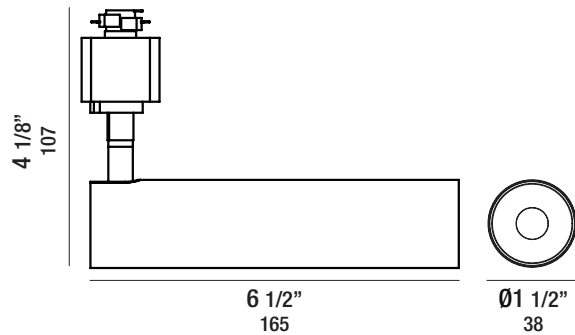
SHOWN: Single 7W LED Track Head (Black & White)

### CERTIFICATIONS

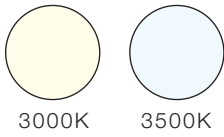


### ORDERING GUIDE

CHARLIE	KELVIN	COLOR	PRODUCT CODES
35457	3000K	BLACK (01)	35457-30-01
		WHITE (02)	35457-30-02
	3500K	BLACK (01)	35457-35-01
		WHITE (02)	35457-35-02



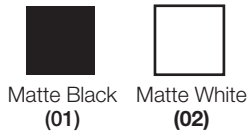
## COLOR TEMPERATURE



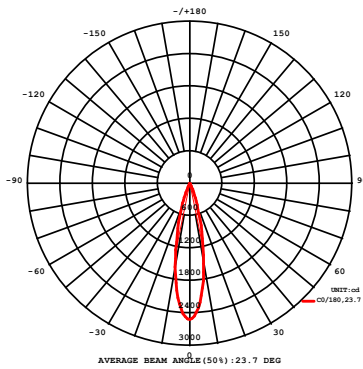
## DIMMING



## FINISHES



## PHOTOMETRIC SUMMARY



## CERTIFICATION / RATING

WARRANTY	5 Years
ETL/UL	ETL
TITLE 24	Title 24 Compliant
LM79/80 COMPLIANCE	LM80 Compliant
IP RATING	IP20

## LIGHT TECHNOLOGY

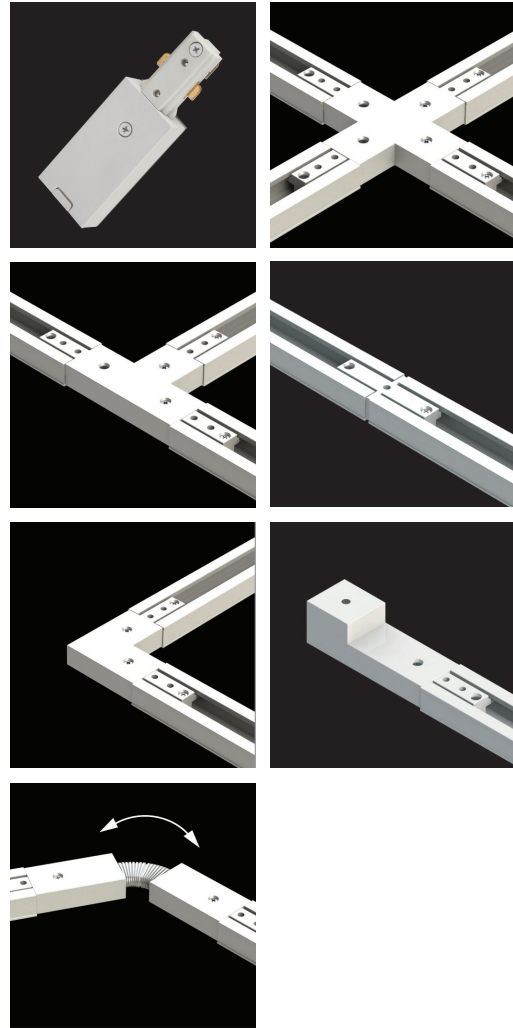
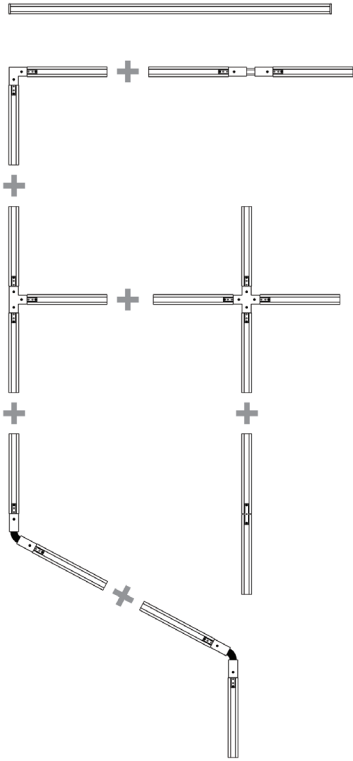
LIGHT SOURCE	COB LED
LED BRAND	Citizen
L90 (LUMEN MAINTENANCE)	L90/55,000 Hours
WATTAGE	7W
NOMINAL LUMEN	540lm
EFFICIENCY (LM/W)	CITIZEN: 129LM/W (*based on 3000K)
COLOR TEMPERATURE	3000K, 3500K
CRI	90+
DELIVERED OUTPUT & INTENSITY	540lm
COLOR CONSISTENCY	2-step & 3-step MacAdam Ellipse
DIMMING OPTIONS/CONTROLS	TRIAC dimming
VOLTAGE	120V

## FIXTURE SPECIFICATIONS

LOCATION	Dry
BEAM ANGLE	- 30° (Medium)
BODY FINISHES	Matte black, matte white

## MODULAR TRACK

- Versatile and adaptable, modular lighting allows you to configure a lighting scheme that is custom configured to your needs
- Feature all adjustability for aiming in any direction
- Field-cutttable track sections are combined with feeds and joiners making virtually any configuration possible



## TRACK

- Single circuit track, 3-conductor, 20A maximum per circuit
- Can be surface mounted on walls or ceilings
- Field cuttable to desired length
- Use components to build any desired configuration
- Includes 2 dead-end covers

### 1002 2-FOOT TRACK



### 1004 4-FOOT TRACK



### 1008 8-FOOT TRACK



-01 Black

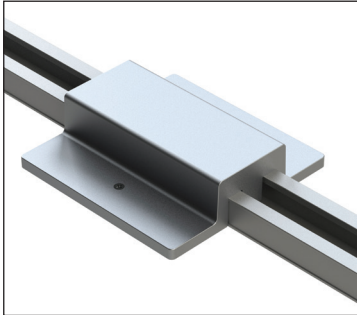
-02 White



### FLOATING CANOPY

- Mounts on any point along the track
- Feeds power and covers outlet box

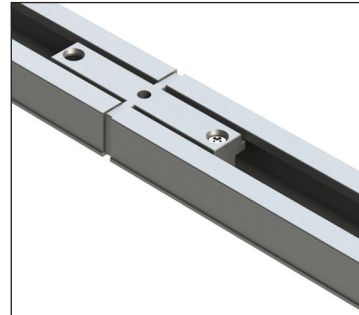
ITEM# FINISHES  
**1615** -01 ○ -02 ●



### MINI CONNECTOR

- Joins two tracks mechanically and electrically
- Power cannot be fed

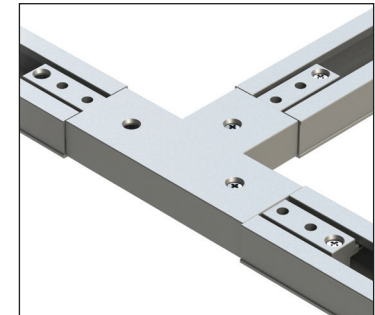
ITEM# FINISHES  
**1560** -01 ○ -02 ●



### T CONNECTOR

- For joining three tracks in "T" configuration and feeding power
- Allows independent feed or same circuit.
- Polarized and pre-wired

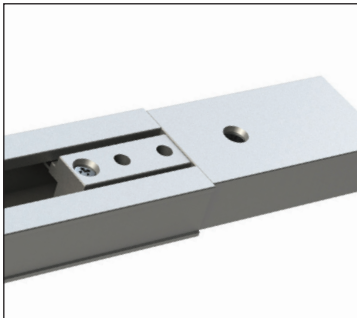
ITEM# FINISHES  
**1540** -01 ○ -02 ●



### LIVE END CONNECTOR

- For feeding track mounted flush to surface without outlet box or canopy

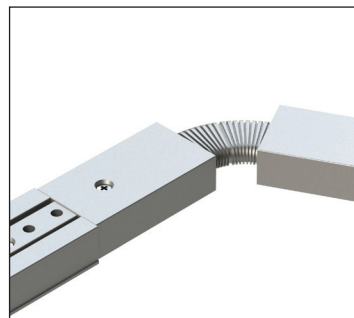
ITEM# FINISHES  
**1510** -01 ○ -02 ●



### FLEXIBLE CONNECTOR

- For joining two tracks in a variable angle 0 to 90 degrees and feeding power

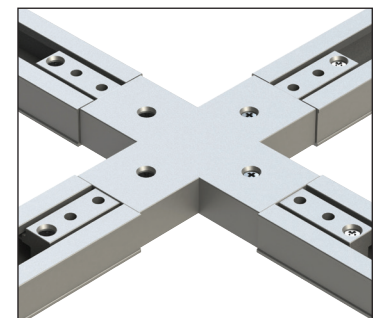
ITEM# FINISHES  
**1570** -01 ○ -02 ●



### X CONNECTOR

- For joining three tracks in an "X" configuration and feeding power
- Allows independent feed or same circuit
- Polarized and pre-wired

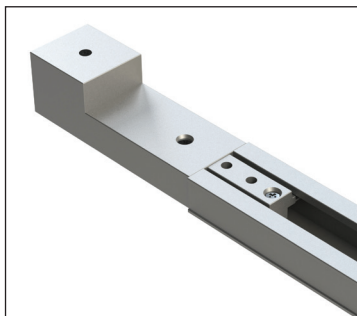
ITEM# FINISHES  
**1550** -01 ○ -02 ●



### LIVE END CONDUIT

- Use with appropriate electrical conduit connector to feed power at track end
- Can be fed from the back or top

ITEM# FINISHES  
**1617** -01 ○ -02 ●



### L CONNECTOR

- For joining two tracks at a 90 degree angle and feeding power
- Allows independent feed or same circuit
- Polarized and pre-wired

ITEM# FINISHES  
**1530** -01 ○ -02 ●

