

CHARLIE TRACK HEAD



FEATURES

Charlie stays true to the conventional style of track lighting systems and incorporates simplistic, modern style. Made out of diecast aluminum, it is built to last with durable strength like no other.

Available in both a matte black and white finish, the Charlie collection will easily match a variety of décor for consistent style.

SPECIFICATIONS

MODEL NUMBER	35456
LIGHT SOURCE	15W Integrated LED
BEAM ANGLE	30°
VERTICAL ROTATION	90°
HORIZONTAL ROTATION	350°
KELVIN	3000K/3500K
DELIVERED LUMENS	1380lm
CRI	90+
DIMMING	TRIAC
COLOR	Black/White
INPUT	120

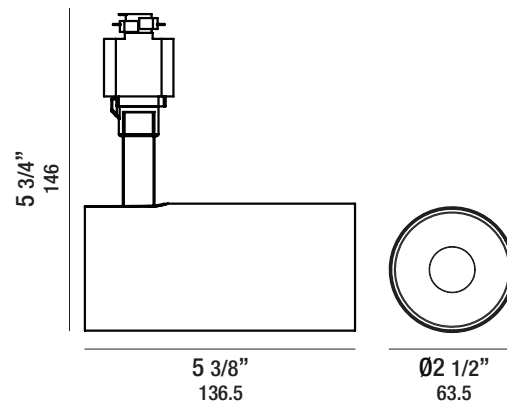
SHOWN: Single 15W LED Track Head (Black & White)

CERTIFICATIONS

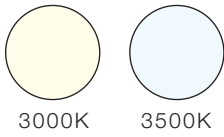


ORDERING GUIDE

CHARLIE	KELVIN	COLOR	PRODUCT CODES
35456	3000K	BLACK (01)	35456-30-01
		WHITE (02)	35456-30-02
	3500K	BLACK (01)	35456-35-01
		WHITE (02)	35456-35-02



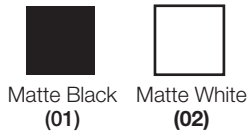
COLOR TEMPERATURE



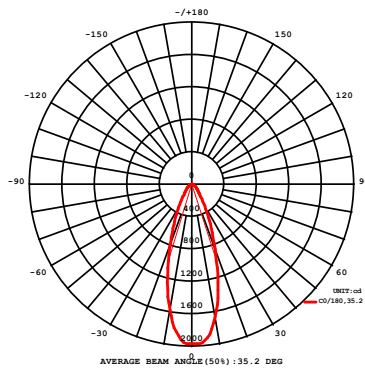
DIMMING



FINISHES



PHOTOMETRIC SUMMARY



CERTIFICATION / RATING

WARRANTY	5 Years
ETL/UL	ETL
TITLE 24	Title 24 Compliant
LM79/80 COMPLIANCE	LM80 Compliant
IP RATING	IP20

LIGHT TECHNOLOGY

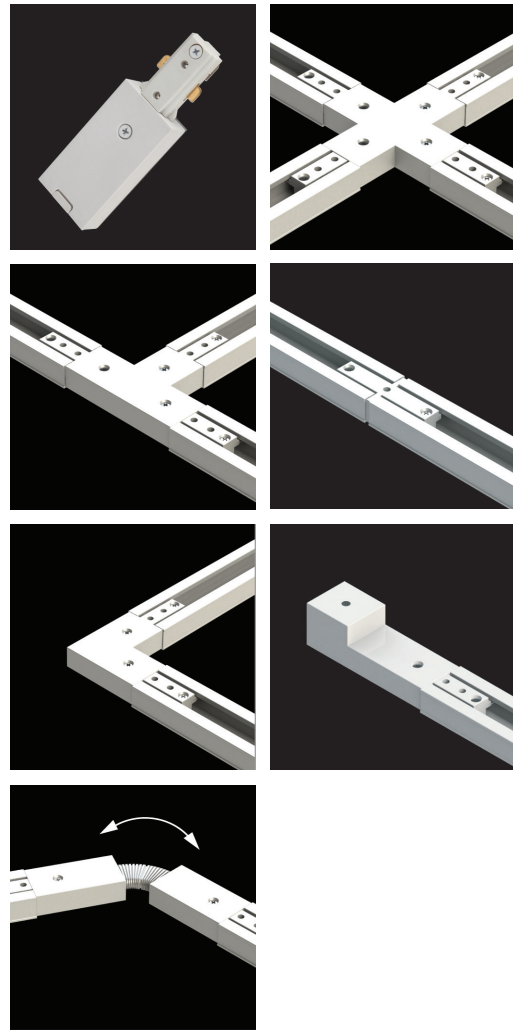
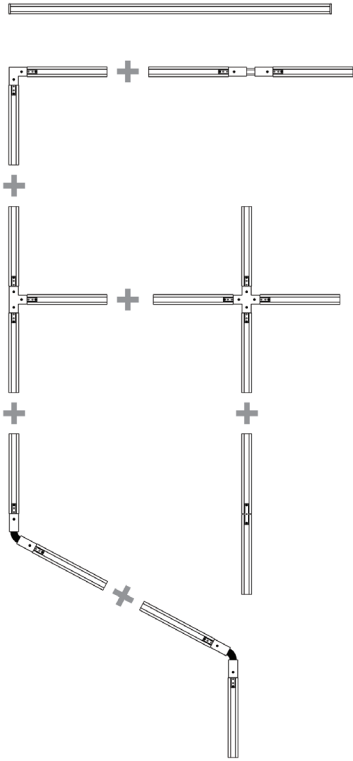
LIGHT SOURCE	COB LED
LED BRAND	Citizen
L90 (LUMEN MAINTENANCE)	L90/55,000 Hours
WATTAGE	15W
NOMINAL LUMEN	1380lm
EFFICIENCY (LM/W)	CITIZEN: 129LM/W (*based on 3000K)
COLOR TEMPERATURE	3000K, 3500K
CRI	90+
DELIVERED OUTPUT & INTENSITY	1380lm
COLOR CONSISTENCY	2-step & 3-step MacAdam Ellipse
DIMMING OPTIONS/CONTROLS	TRIAC dimming
VOLTAGE	120V

FIXTURE SPECIFICATIONS

LOCATION	Dry
BEAM ANGLE	- 30° (Medium)
BODY FINISHES	Matte black, matte white

MODULAR TRACK

- Versatile and adaptable, modular lighting allows you to configure a lighting scheme that is custom configured to your needs
- Feature all adjustability for aiming in any direction
- Field-cutttable track sections are combined with feeds and joiners making virtually any configuration possible



TRACK

- Single circuit track, 3-conductor, 20A maximum per circuit
- Can be surface mounted on walls or ceilings
- Field cuttable to desired length
- Use components to build any desired configuration
- Includes 2 dead-end covers

1002 2-FOOT TRACK



1004 4-FOOT TRACK



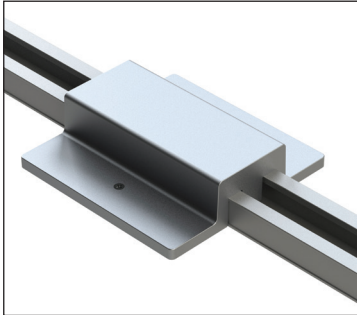
1008 8-FOOT TRACK



FLOATING CANOPY

- Mounts on any point along the track
- Feeds power and covers outlet box

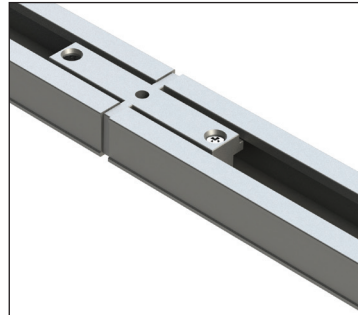
ITEM# FINISHES
1615 -01 ○ -02 ●



MINI CONNECTOR

- Joins two tracks mechanically and electrically
- Power cannot be fed

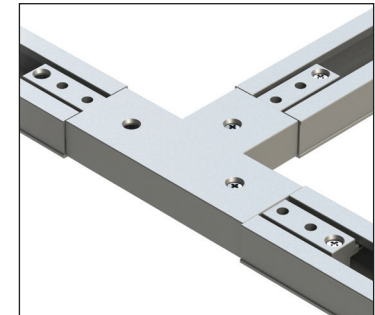
ITEM# FINISHES
1560 -01 ○ -02 ●



T CONNECTOR

- For joining three tracks in "T" configuration and feeding power
- Allows independent feed or same circuit.
- Polarized and pre-wired

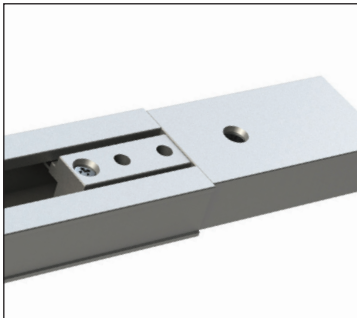
ITEM# FINISHES
1540 -01 ○ -02 ●



LIVE END CONNECTOR

- For feeding track mounted flush to surface without outlet box or canopy

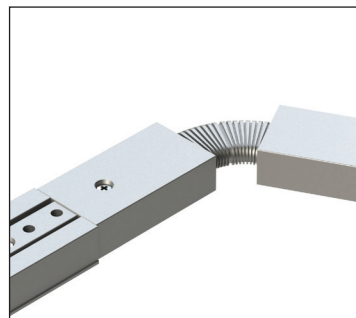
ITEM# FINISHES
1510 -01 ○ -02 ●



FLEXIBLE CONNECTOR

- For joining two tracks in a variable angle 0 to 90 degrees and feeding power

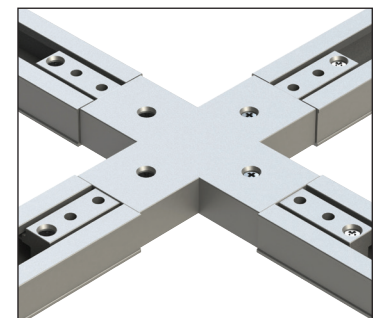
ITEM# FINISHES
1570 -01 ○ -02 ●



X CONNECTOR

- For joining three tracks in an "X" configuration and feeding power
- Allows independent feed or same circuit
- Polarized and pre-wired

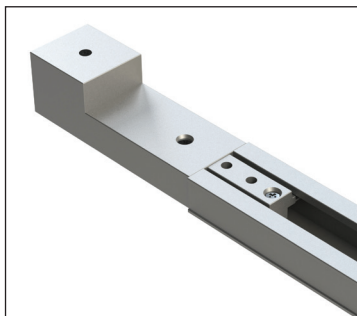
ITEM# FINISHES
1550 -01 ○ -02 ●



LIVE END CONDUIT

- Use with appropriate electrical conduit connector to feed power at track end
- Can be fed from the back or top

ITEM# FINISHES
1617 -01 ○ -02 ●



L CONNECTOR

- For joining two tracks at a 90 degree angle and feeding power
- Allows independent feed or same circuit
- Polarized and pre-wired

ITEM# FINISHES
1530 -01 ○ -02 ●

