

PROJECT: _____

TYPE: _____ DATE: _____

NOTES: _____

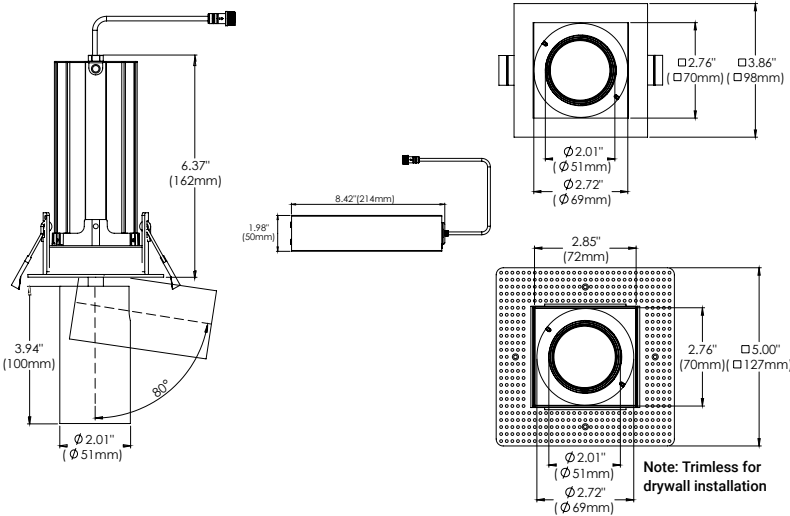


FEATURES

Tango is a specification grade LED recessed family, offering multiple options for design and functionality. Round and square, trim and trimless, 1, 2 and 3 light options and several task specific trim designs. Tango features 90+ CRI high performance LED chips, drivers with multi dimming capabilities and industry leading ease of installation and services.

SPECIFICATIONS

FIXTURE BODY	18 gauge powder coated steel body. Aluminum powder coated trim or trimless mesh plate
INSTALLATION TYPE	Remodel/existing ceiling N/C plate on page 2
CUT HOLE	Trim & Trimless: 3 1/4" x 3 1/4"
COLOR FINISH	Black/White/Custom
LIGHT MODULE	High output, high efficiency LED COB. Lumen Maintenance: 70%@50,000 hrs
INPUT VOLTAGE	120V - 277V
WATTAGE	15W IC Rated
POWER SUPPLY	ERP 15W, Constant Current 350mA power supply Minimum operating temperature: -30° Enclosed in a Junction box with 12" flexible cable to mate to module connector
ADJUSTABILITY	80°
ROTATION	355°
FUNCTIONALITY	Egress/Regress
CRI	90+
DIMMING	TRIAC/ELV/0-10V
LUMENS	15W, 830 Lumens
CCT OPTIONS	3000K/4000K
REFLECTORS	(W) Wide 38°
DIFFUSERS	(CL) Clear
APPROVAL	Damp
ELECTRICAL APPROVAL	Compliant
WARRANTY	



FUNCTIONALITY



STANDARD DRIVER BOX: MINIMUM HEIGHT CLEARANCE: 9.5"

MAX CEILING TRIM THICKNESS: TRIM 1.25" TRIMLESS 1.5"

SPECIFICATION GUIDE

TANGO	1-LIGHT SQUARE	TRIM/ TRIMLESS		FINISH	LIGHT MODULE x 1		WATTAGE		CCT	
TGO	1S	T	TRIM	01	BLACK	PD	PULLDOWN	15	15W	30
		TL	TRIMLESS	02	WHITE					40

ORDERING GUIDE EXAMPLE:

Tango / 1-Light Square / Trim / White / Pulldown / 15W / 4000K

CODE: **TGO-1S-T-02-PD-15-40**

NEW CONSTRUCTION PLATES



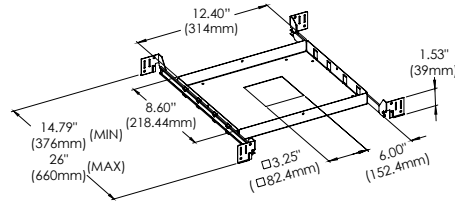
NEW CONSTRUCTION PLATE TRIM & TRIMLESS

30535-015

CUT HOLE:

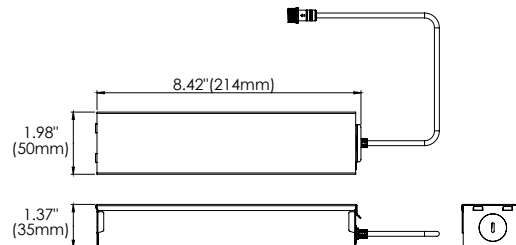
Trim & Trimless:

3 1/4" x 3 1/4"



DRIVERS

- Compatible with TRIAC (forward-phase or leading-edge) ELV (reverse-phase or trailing edge) and 0-10V dimmers.
- ESSxxxW models: TRIAC and ELV dimming only at 120 Vac
- ESSxxxW models: ELV dimming only at 230 Vac
- 90° C maximum case hot spot temperature
- Class 2 power supply
- Lifetime: 50,000 hours at 70° case hot spot temperature (some models have a higher lifetime)
- IP64-rated (IP66 for ESST) case with silicone-based potting
- Protections: Output open load, over-current and short-circuit (hiccup), and over-temperature with auto recovery.
- Conducted and radiated EMI: Compliant with FCC CFR Title 47 Part 15 Class B (120 Vac) and Class A (277 Vac), and EN55015 (CISPR 15) at 220, 230, and 240 Vac.
- Complies with ENERGY STAR®, DLC (DesignLight Consortium®) and CA Title 24 technical requirements
- Worldwide safety approvals



PHOTOMETRICS

