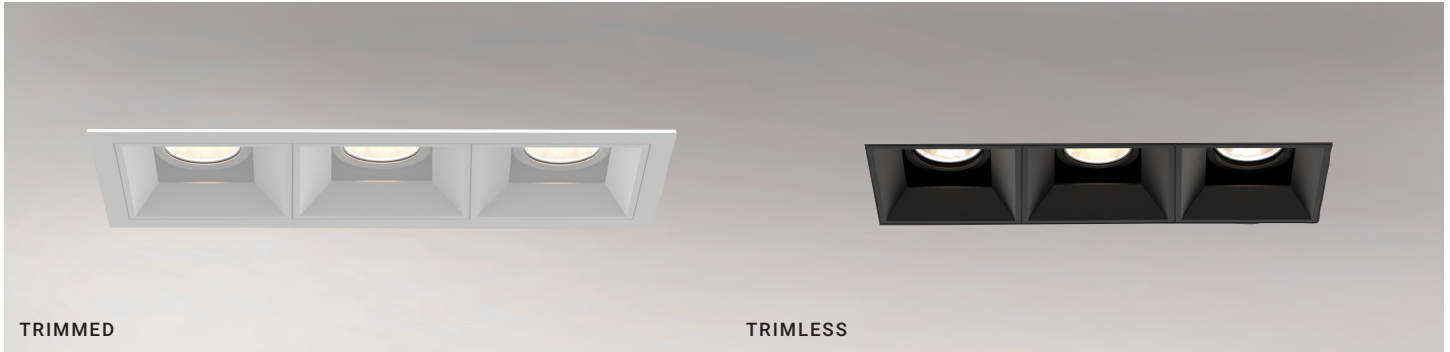


PROJECT: _____

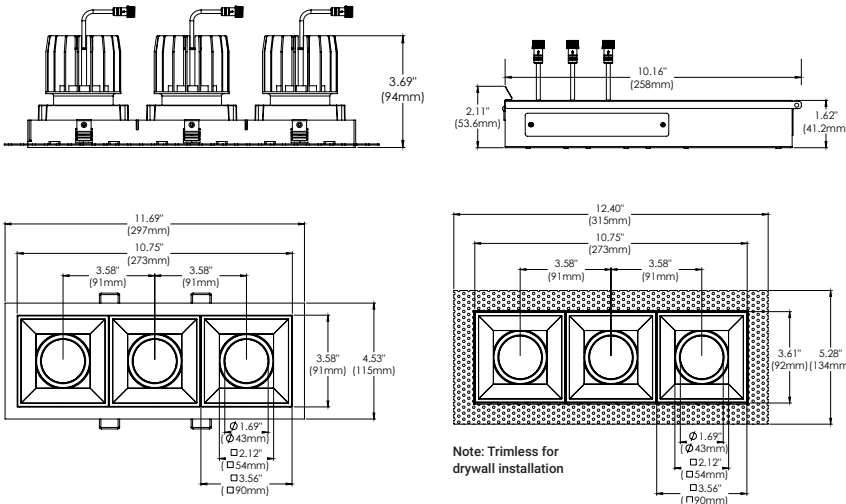
TYPE: _____ DATE: _____

NOTES: _____



FEATURES

The Bravo collection features a sharp sleek design, no matter the type of fixture you choose within this collection. Whether you choose both Bravo surface mount luminaires and Bravo recessed mount fixtures, there will be a harmonious integration throughout the room. Bravo Recessed mount fixtures are available in 3 body sizes and can be outfitted with 7 different modules that can be used for various applications and installations.



SPECIFICATIONS

FIXTURE BODY	18 gauge powder coated steel body. Aluminum powder coated trim or trimless mesh plate
INSTALLATION TYPE	Remodel/existing ceiling N/C plate, IC Box on page 2
CUT HOLE	Trim: 11 1/4" x 4 1/8" Trimless: 11 1/4" x 4 1/8"
COLOR FINISH	Black/White/Custom
LIGHT MODULE	High output, high efficiency LED COB Lumen Maintenance: 70%@50,000 hrs
INPUT VOLTAGE	120V - 277V
WATTAGE	30W IC Rated, 45W Non-IC Rated
POWER SUPPLY	3 x ERP 10W or 15W, Constant Current 250mA or 350mA power supply Minimum operating temperature: -30° Enclosed in a Junction box with 12" flexible cable to mate to module connector
CRI	90+
DIMMING	TRIAC/ELV/0-10V
LUMENS	3 x 10W, 2520 Lumens & 3 x 15W, 3540 Lumens, Dim to Warm: 3 x 15W, 2355 Lumens
CCT OPTIONS	2700K/3000K/3500K/4000K, DIM (Dim to warm)
REFLECTORS	(N) Narrow 15°/(M) Medium 24°/(W) Wide 38°
DIFFUSERS	(CL) Clear/(LN) Linear Spread/(FR) Frosted (SP) Solite/(RE) Red Dichroic/(GR) Green Dichroic (BL) Blue Dichroic/(OR) Orange Dichroic
APPROVAL	Wet
ELECTRICAL APPROVAL	Compliant
WARRANTY	

SPECIFICATION GUIDE

BRAVO	RECESSED	3-LIGHT	TRIM/ TRIMLESS	FINISH	LIGHT MODULE x 3	WATTAGE	CCT	BEAM ANGLE	DIFFUSER	ADD-ONS
BVO	R	3	T TRIM	01 BLACK	RFFF RECESSED FIXED	10 10W	27	N 150	CL CLEAR	XT EXTENSION BAFFLE
			TL TRIMLESS	02 WHITE		15 15W	30	M 240	LN LINEAR SPREAD	HC HONEYCOMB LOUVRE
							35	W 380	FR FROSTED	DJ DOUBLE JUNCTION BOX
							40		SP SOLITE	
							DTW Dim To Warm		RE RED DICHROIC	
								GR GREEN DICHROIC		
								BL BLUE DICHROIC		
								OR ORANGE DICHROIC		

ORDERING GUIDE EXAMPLE:
Bravo / Recessed Mount / 3-Light / Trim / White / Recessed Fixed / Recessed Fixed / Recessed Fixed / 10W / 3000K / 38° / Clear Diffuser
CODE: BVO-R-3-T-02-RFRFF-10-30-W-CL
For custom module configuration, email sales@eurofase.com